

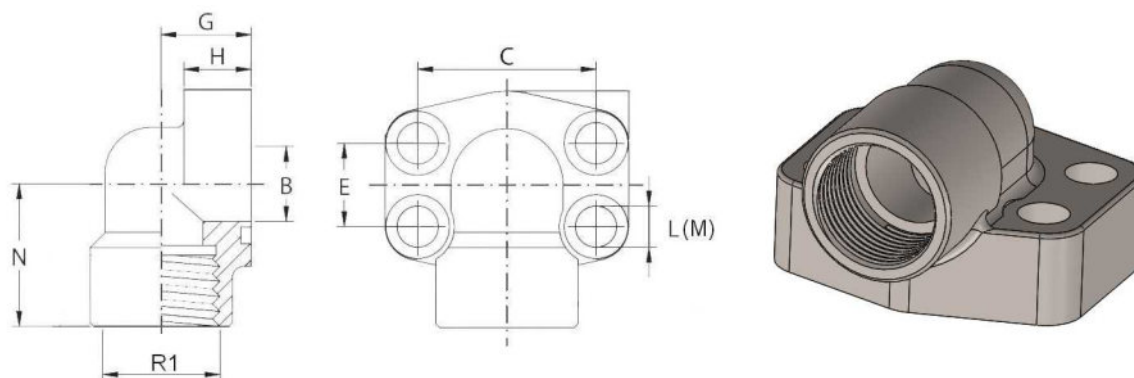
Bridas SAE

Bridas roscadas

## Brida codo 90º roscada hembra BSP



Acero Inoxidable AISI 316-L



Artículo	Serie	R1	Tamaño	O'Ring	B	C	E	G	H	L	M	N
<b>ZB90RG30808</b>	3000 PSI	1/2" BSP	1/2"	4075	13	38,1	17,48	36	16	9	M8x30	37
<b>ZB90RG31212</b>	3000 PSI	3/4" BSP	3/4"	4100	19	47,63	22,23	36	18	11	M10x35	38
<b>ZB90RG31616</b>	3000 PSI	1" BSP	1"	4131	25	52,37	16,19	38	18	11	M10x35	43
<b>ZB90RG32020</b>	3000 PSI	1"1/4 BSP	1"1/4	4150	32	58,72	30,18	40	21	11,5	M10x40	51
<b>ZB90RG32424</b>	3000 PSI	1"1/2 BSP	1"1/2	4187	38	69,85	35,71	45	25	13,5	M12x45	56
<b>ZB90RG33232</b>	3000 PSI	2" BSP	2"	4225	51	77,77	42,88	45	25	13,5	M12x45	65
<b>ZB90RG60808</b>	6000 PSI	1/2" BSP	1/2"	4075	13	40,49	18,24	36	16	9	M8x30	37
<b>ZB90RG61212</b>	6000 PSI	3/4" BSP	3/4"	4100	19	50,8	23,8	35	21	11	M10x40	43
<b>ZB90RG61616</b>	6000 PSI	1" BSP	1"	4131	25	57,15	27,76	42	25	13	M12x45	51
<b>ZB90RG62020</b>	6000 PSI	1"1/4 BSP	1"1/4	4150	32	66,68	31,75	45	27	15	M14x45	56
<b>ZB90RG62424</b>	6000 PSI	1"1/2 BSP	1"1/2	4187	38	79,38	36,5	50	30	17	M16x50	65